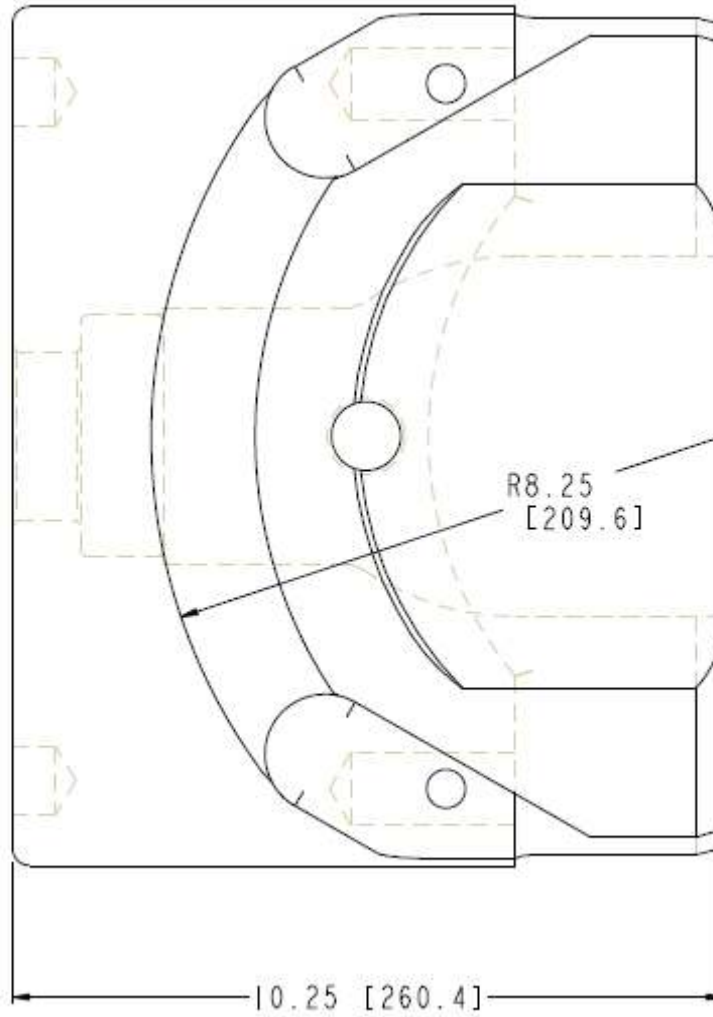


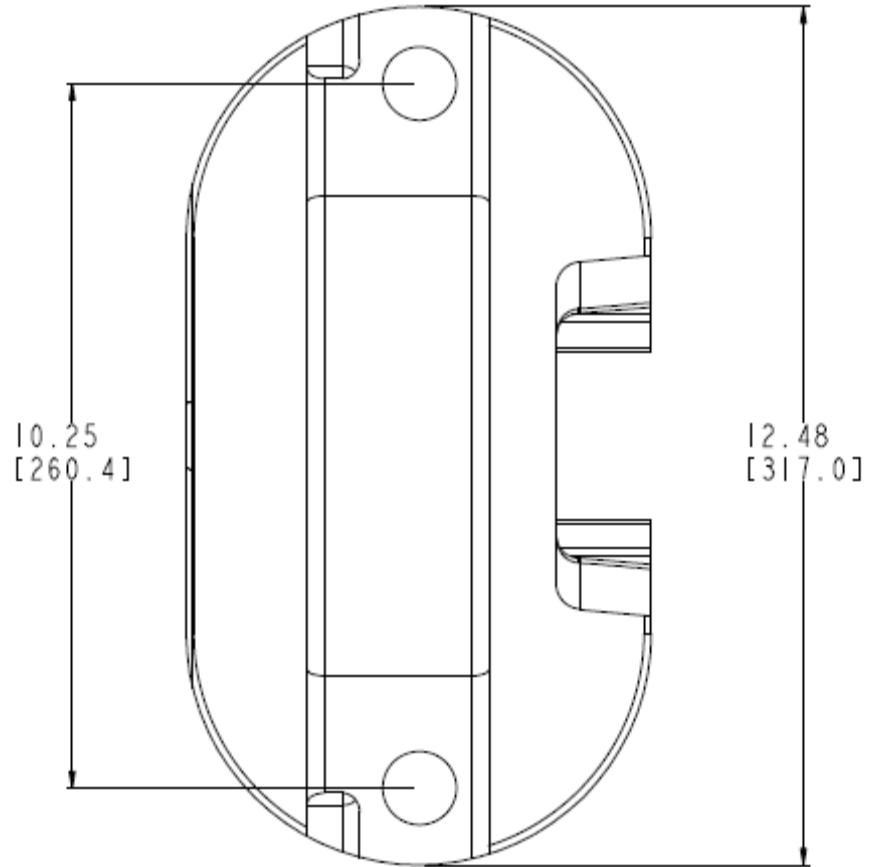
For Sale: New 13 5/8" 3M/5M/10M U-BOP ram block (blind ram) API16A

Contact Jeff Weber, (+1) 432-687-5445, jeff@jeffweber.net



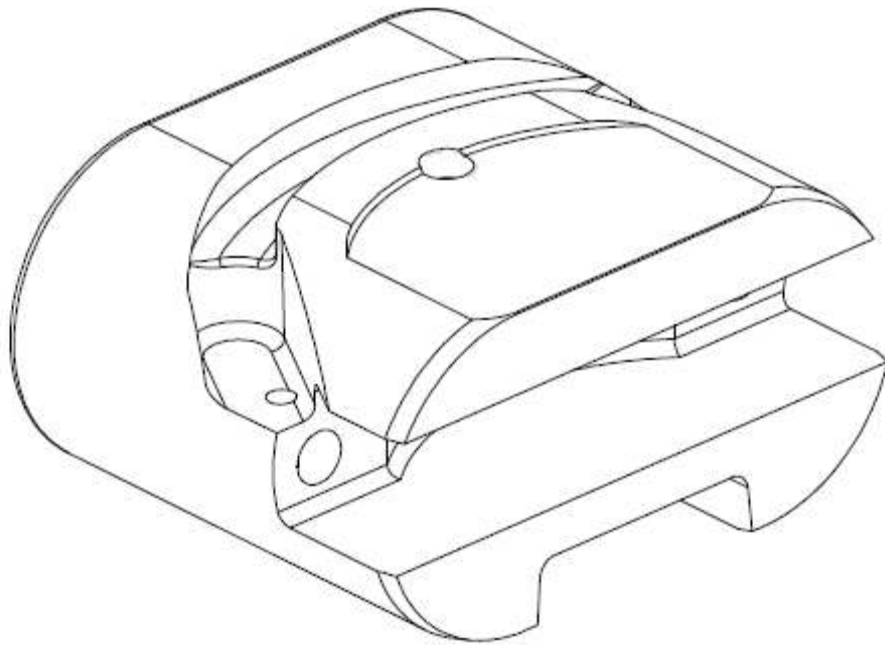
For Sale: New 13 5/8" 3M/5M/10M U-BOP ram block (blind ram) API16A

Contact Jeff Weber, (+1) 432-687-5445, jeff@jeffweber.net



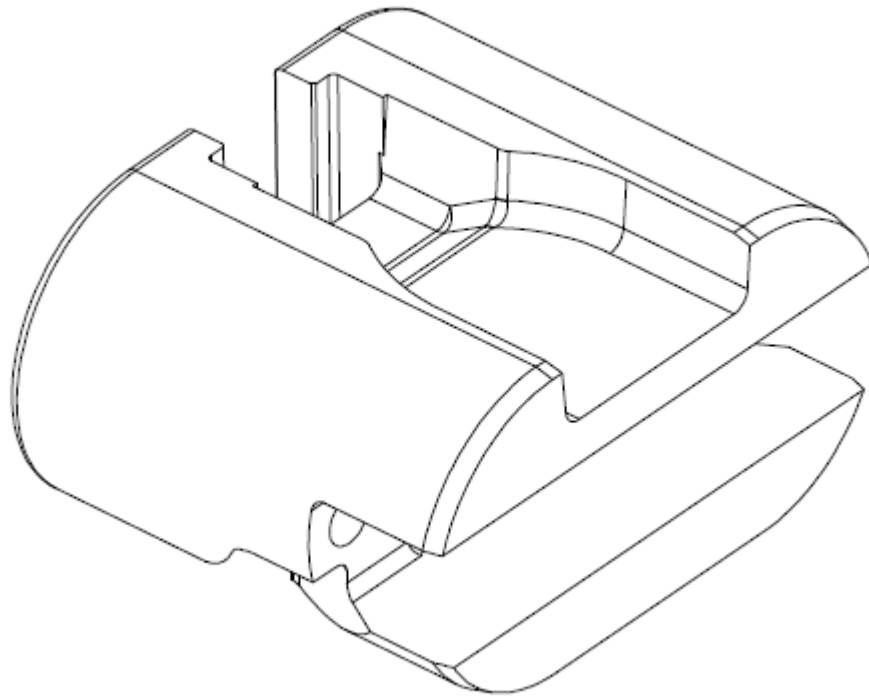
For Sale: New 13 5/8" 3M/5M/10M U-BOP ram block (blind ram) API16A

Contact Jeff Weber, (+1) 432-687-5445, jeff@jeffweber.net



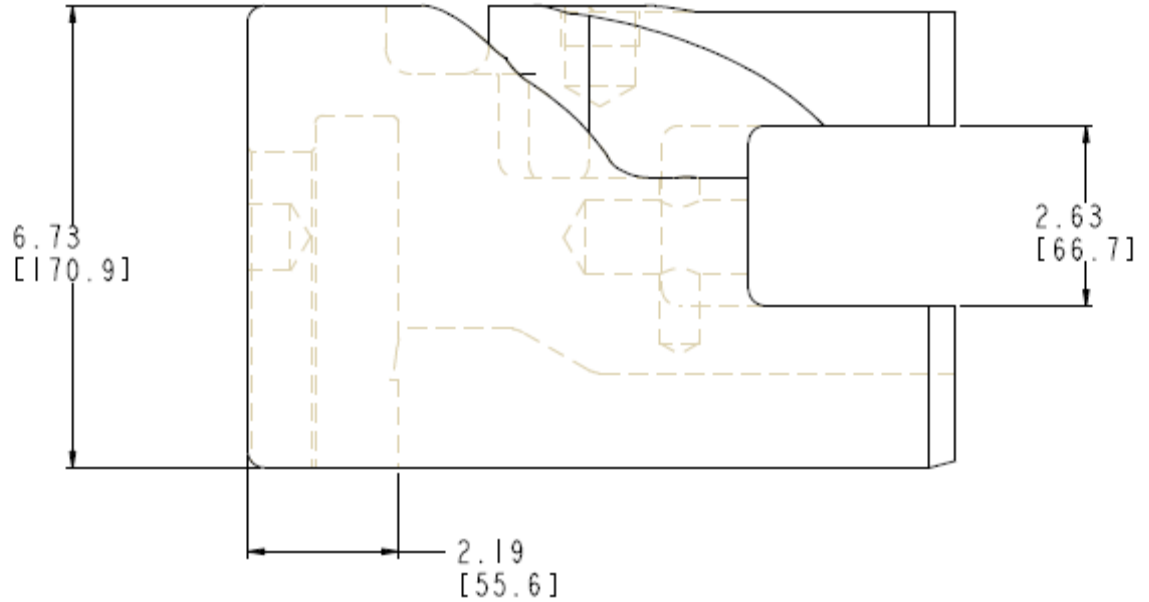
For Sale: New 13 5/8" 3M/5M/10M U-BOP ram block (blind ram) API16A

Contact Jeff Weber, (+1) 432-687-5445, jeff@jeffweber.net



For Sale: New 13 5/8" 3M/5M/10M U-BOP ram block (blind ram) API16A

Contact Jeff Weber, (+1) 432-687-5445, jeff@jeffweber.net



00	09-Jul-10		INITIAL RELEASE	CJ
REV	DATE	ZONE	DESCRIPTION	APPROVED
<p>THIS DOCUMENT IS THE EXCLUSIVE PROPERTY OF QBOP PTE LTD AND IS NOT TO BE COPIED OR TRANSFERRED TO OTHER PARTIES WITHOUT THE WRITTEN APPROVAL OF QBOP. INFORMATION CONTAINED IN THIS DOCUMENT IS CONFIDENTIAL AND SHALL NOT BE MADE KNOWN TO THIRD PARTIES.</p>				
<p>TOLERANCE UNLESS SPECIFIED</p>			<p>TITLE: 11" - 3M/5M & 10M U-BOP-RAM BLOCK BLIND RAM</p>	
.X ± .02	UNITS [INCHES [mm]]	SEE BOM FOR MATERIAL AND SPECIAL REQUIREMENTS. ITEMS NOT SHOWN ON BOM DO NOT APPLY.		
.XX ± .01	ANGLES ± .3 DEG.			
.XXX ± .005	125/			
DRAWN: DA KUMAR		DATE: 09-Jul-10	REV: 00	SHEET 1 OF 1
APPROVED: CJ		DATE: 09-Jul-10	PART No.: SD-00114	